

Thank you for purchasing the PARALOW HS403C Red Dot sight. Please read the User's Manual carefully.

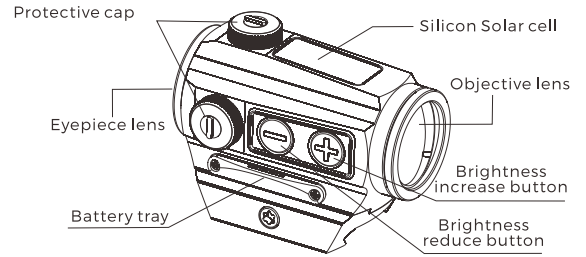


Fig1 PARALOW HS403C Red Dot Sight

#### Important Notices

1. Ensure that the firearm is completely unloaded and safe before device installation, sighting in, or installing a new Battery.
2. Please keep the packaging should you need to make a warranty claim.

#### Objective Lens

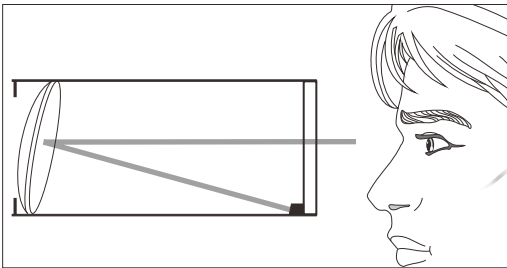


Fig 2

All red dot sights have an objective lens at the front of the unit that is positioned off axis and appears to be tilted when looking at the sight. This angle of the front lens allows the light generated by the LED projector inside the unit to be reflected back through the rear lens. The reflected light becomes the "dot" or aiming reference that the user sees when a red dot sight is switched on.

#### Battery

1. Operates with two-way power supply (solar cell and internal battery). one high quality CR2032 Lithium battery is included with purchase.

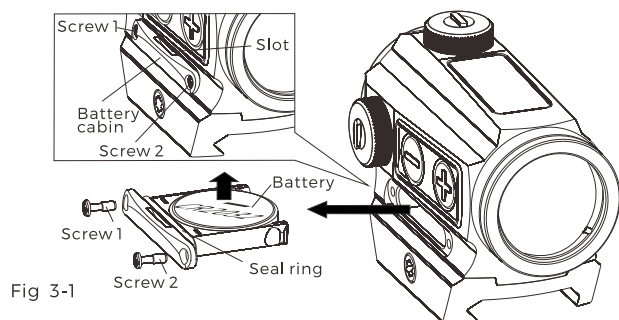


Fig 3-1

2. A high quality battery can power this device for up to 50,000 hours. Caution: The battery is not rechargeable.
3. Battery Replacement:
  - a. Remove the battery (fig 3 1)
    - i. Loosen screws 1,2.
    - ii. Insert the included teardrop shaped tool in the battery tray slot, pry out the tray, and remove the dead battery.
  - b. Battery installation (Fig 3 2):
    - i. Insert the battery into the battery tray making sure the "+" side faces down.
    - ii. Insert and press the tray into the battery compartment.
    - iii. Tighten screws 1,2.

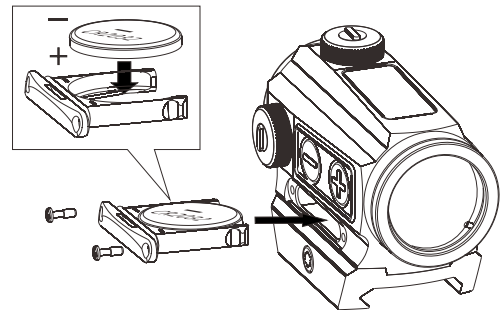


Fig 2-2

Caution:  
The loss or damage of the seal ring may cause water to leak into the compartment which could damage the product.

#### Installation on the Firearm

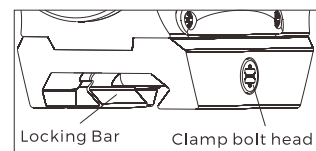


Fig 4

1. The mounting bracket is adaptable to any firearm with a Picatinny or Weaver Rail. If the firearm has no compatible rail, contact a qualified gunsmith.
2. Insert the appropriate Torx wrench (included) into the clamp bolt head, rotate to loosen the cross bolt and then slide the sight into the firearm rail to the appropriate position. Finally tighten the clamp bolt. (Fig4)

## Sight operation

Two operation modes are available: Auto mode and Hybrid mode. Auto mode (default)- Powered by the solar cell and internal battery two-way power supply: Based upon the ambient lighting level, the sight will switch between battery and solar power automatically for operation in all lighting conditions.

Auto mode operation:

1. The sight is always in auto mode unless specifically switched to hybrid mode.
2. While in auto mode, the brightness of the reticle is automatically adjusted to match ambient lighting. The brighter it is, the higher the dot intensity. The "solar panel" on top of the optic is both a power source and the light sensor controlling reticle brightness.
3. If lighting insufficient, the sight will automatically switch to battery power. While running on battery, you can adjust the reticle brightness using the "+" and "☒" buttons to switch between high, medium and low brightness levels.

Hybrid Mode (Sight will be completely powered by the battery):

1. Press down the "+" button for 3 seconds to enter into hybrid mode.
2. Brightness adjustment: There are 12 settings for reticle brightness under hybrid mode. The default brightness is at 7 when the device is in this mode. The light sensor will set a minimum brightness level based upon ambient lighting conditions. For example, if the minimum brightness level is set at 5, the user can manually adjust the brightness to settings from 5 through 12 by pressing the "+" or "☒" buttons.

3. Switching back to auto mode:

Simultaneously press the "+" and "☒" buttons to switch to auto mode. The device will also switch automatically from Hybrid mode to auto mode if there has been no other button presses within 12 hours.

Note: In summary, the sight is always ready for use, no matter what the Lighting conditions are.

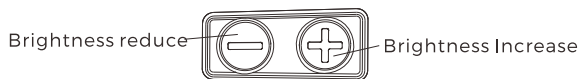


Fig 5

## Zero setting

1. The elevation adjustment turret is on top of the sight, the windage adjustment turret is on the right side (see Fig 6). The sight has been factory adjusted for approximate zero.
2. The screw driver tool on the protective cap can be used for zeroing adjustment (see Fig6). See label inside cap.
3. First open the protective cap (see Fig1), position slot type screwdriver on the slotted screw, then rotate the screw. Each click is equivalent to 0.5 MOA adjustment.
4. Twist the elevation turret counter-clockwise to move the point of impact UP. Twist the windage turret counter-clockwise to move the point of impact to the RIGHT. Turning either turret clockwise moves the point of impact in the opposite direction.

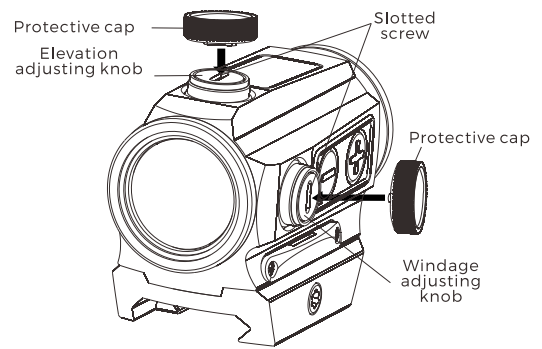


Fig 6

5. Caution: Don't try to over rotate the knobs. If you feel the knobs cannot be rotated, this indicates you have reached the adjustment limit. Further movement may damage the sight. If the required adjusting range is beyond the limits, consider adjusting the mounting rail to allow for additional adjustment.

## Maintenance & care

This device is a precision instrument that deserves reasonably cautious care. The following tips are provided to ensure a long product life. The optical lenses are multicoated optical glass. When cleaning the lenses, blow away the dust on the surface, wet the lens with lens cleaner or clean water, then wipe away smudges with lens tissue, soft cotton or a microfiber cloth. Avoid touching the glass surface with dry cloth or tissue paper. Do not use organic solvents such as alcohol or acetone. No special maintenance is needed for the housing surface. Do not try to dismantle the device as the internal parts are specially cleaned and sealed and with an anti-fog treatment. Any such attempt will void the warranty.

## Limited warranty

We provide a limited lifetime warranty from the date of purchase on parts and workmanship to the original purchaser. At our sole discretion, we will repair or replace products found to be defective under normal use without charge, excluding any delivery costs, which will be born by purchaser. We will not be liable for incidental, consequential, or special damages arising out of or in any connection with the use or performance of this product. This warranty is void if the product has been misused, modified, neglected, or disassembled prior to its return. Please refer to [www.holosun.com](http://www.holosun.com) for current and complete warranty information and other conditions.

**PARALOW HS403C**  
**Red Dot sight**

**HOLOSUN**

Holosun Technologies Inc.

[www.holosun.com](http://www.holosun.com)

**Customer Service**

Phone: (909) 594-2888

Fax: (909) 598-4888

Email: [warranty@holosun.com](mailto:warranty@holosun.com)