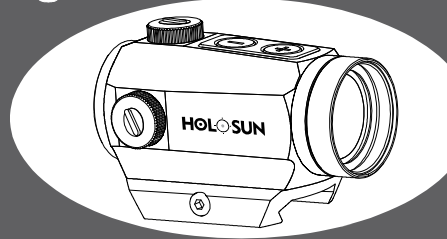


Red Dot Sight User's Manual



www.holosun.com

Thank you for purchasing the PARALOW HS403A Red Dot sight. Please read the User's Manual carefully.

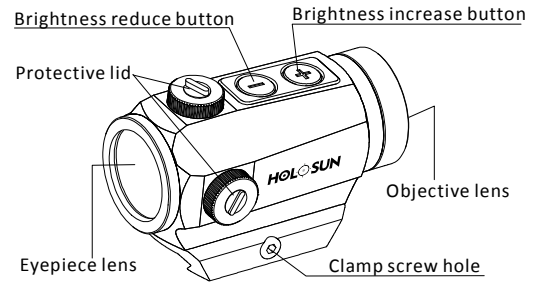


Fig1 PARALOW HS403A Red Dot Sight

Features

- Covert aiming:** When aiming, the red dot is projected within the sight so no light can be detected by the target. Unlike a laser sight that appears as a dot that can be seen on and by the target.
- Full field of view for target acquisition:** The user can gain rapid target acquisition and situational awareness while aiming with both eyes open.
- Low power consumption:** Only a few micro-amperes of current are required for sight operation. Sight runs on one battery for up to 50,000 hours. When battery replacement is required, the battery compartment is concealed in the base.
- Motion power on:** The sensor will turn on the power with a slight movement of the sight.
- Parallax free optical system:** Parallax is $\leq \pm 1$ MOA.
- Auto power off:** The sight will be automatically powered off after not being used for 8 hours.
- Brightness adjustment:** There are 12 settings for the intensity of the red dot so as to match the ambient lighting conditions.
- Waterproof:** IP67
- Two top mounted buttons:** The top mounted buttons allow for easy operation without obstructing the user's vision.

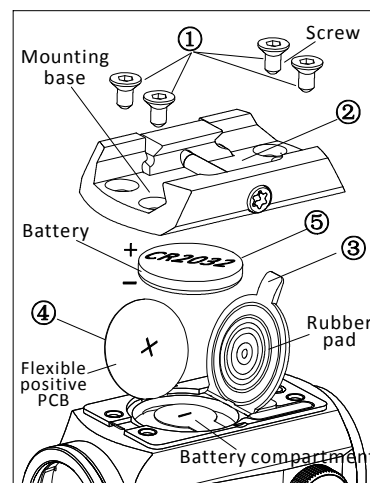
Important notices

- Ensure that the firearm is completely unloaded and safe before device installation, sighting in, or installing a new battery.
- Please keep the packaging should you need to make a warranty claim.

Battery

- The operating voltage for this device is 3 V DC. There is one CR2032 Lithium battery included.
- The battery life is up to 50,000 hours. Almost no need to change the battery. The battery is housed in the base, out of the way.
- Battery Replacement:**
Please follow the steps below for battery replacement when battery runs out or for other conditions that require the battery to be changed (Fig2):

- Dismount the device from the firearm.
- Please follow the steps below for dismantling the mounting base and battery replacement:
 - Unscrew and remove the 4 screws from the mounting base with Allen wrench.
 - Remove the mounting base.
 - Uncover the rubber pad.
 - Open the flexible positive Printed Circuit Board.
 - Remove the battery, insert new battery into the compartment with correct "+" and "-" polarities shown in diagram.
- Close the flexible positive Printed Circuit Board and rubber pad in order, as in Fig 2. Install the mounting base by tightening the 4 screws with Allen wrench to finish the battery replacement. Tighten evenly by tightening screws on diagonal corners.



Note:

- Gently open the rubber pad and positive Printed Circuit Board, otherwise it may tear.
- The device may need zero alignment after the battery replacement.

Fig 2

Installation

- The mounting bracket is adaptable to any firearm with a Picatinny Rail.
- First insert the Torx wrench into the clamp screw hole, then rotate to loosen cross bolt and then slide the sight into the firearm rail to an appropriate position. Finally fasten the clamp screw. (Fig3)

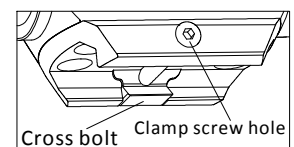
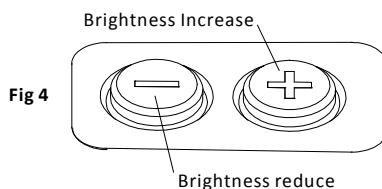


Fig 3

Sight operation

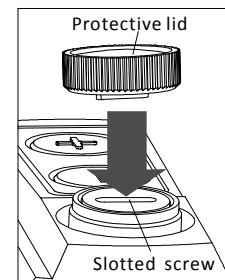
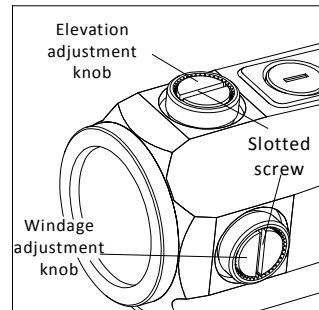
The operating buttons are on the top of sight.

- 1. Turn on:** Press brightness increase button "+" or brightness decrease button "-" one time, (see Fig4) , the power is turned on.
Additionally, the device will turn on the power with only slight movement, instead of turning the switch on.
- 2. Brightness adjustment:**
There are 12 brightness settings for red dot. The default brightness when powered is the last setting used. The brightness may be adjusted to match ambient light conditions. Each press for "+" will increase one brightness setting, and "-" will decrease one brightness setting.
- 3. Auto-power off:** The default auto-power off duration is 8 hours. After 8 hours, the power automatically turns off. You can turn on the power if needed by pressing a button or moving the sight.
- 4. Manual power off:** Pressing the "+" and "-" buttons simultaneously will turn the power off.



Zero setting

- On top of the sight is the elevation adjusting knob, the windage adjusting knob is on the right side (see Fig5). The sight has been factory adjusted for approximate zero.
- The built in screw driver tool on the protective cap can be used for zeroing alignment (see Fig6). Note the label inside cap.
- First open the protective cap (see Fig1), position slot type screwdriver on the slotted screw, then rotate the screw to right or left for adjustment. Each left or right click is for one adjustment, equivalent to 0.5MOA value.
- Rotating the elevation knob clockwise will move the red dot up, rotating counter-clockwise will lower the red dot. Similarly for the windage adjustment, rotating clockwise will move the red dot to right, rotating counter-clockwise will move it to left.
- Caution:**
Don't try to over rotate the knobs. If you feel the knobs cannot be rotated, this indicates you have reached the adjustment limit, otherwise the sight may be damaged. If the adjusting range needed is beyond the limits, consider adding an extra spacer between the device and mounting rail to allow for additional adjustment.



Maintenance and care

This device is a precision instrument that deserves reasonably cautious care. The following tips are provided to ensure long lasting use of the sight.

The optical system, including the objective window and eyepiece lens are multi-coated optical glass. When cleaning the lenses, blow away the dust on surface, wet the lens with lens cleaner or clean water, wiping the fingerprint or other oils with lens tissue, soft cotton or microfiber cloth. No special maintenance is needed for the housing surface. Avoid touching the glass surface with dry cloth or tissue paper. Do not use organic solvents such as alcohol or acetone. Do not try to dismantle the device as the internal parts are specially cleaned and sealed and with an anti-fog treatment. Any such attempt will void the warranty.

If repair is needed, you can call our customer service center, visit our website, or send an email to us.

Limited warranty

SUMMARY

We provide a limited lifetime warranty from the date of purchase on parts and workmanship to the original purchaser. At our sole discretion, we will repair or replace product found to be defective under normal use and service without charge excluding any delivery costs, which will be born by purchaser.

We will not be liable for incidental, consequential, or special damages arising out of or in any connection with the use or performance of this product. This warranty is void if the product has been misused, modified, neglected, or disassembled prior to its return.

Please refer to <http://www.holosun.com> for current and complete warranty information and other conditions.

PARALOW HS403A
Red Dot sight

HOLOSUN
Holosun Technologies Inc.
www.holosun.com

Customer Service

Phone: 954-880-4823
Email: info@holosun.com

